

# EarlyPrecheck

## DB2 Application Migration to Version 10 or 11 – Be Prepared

### Categories:

- Database Administration
- Application Development
- IT Management All analytics

### Prerequisite:

DB2 10 or 11 on z/OS

Length: 1 day

Evaluation cost:

8,000 for one production system

Date: On request

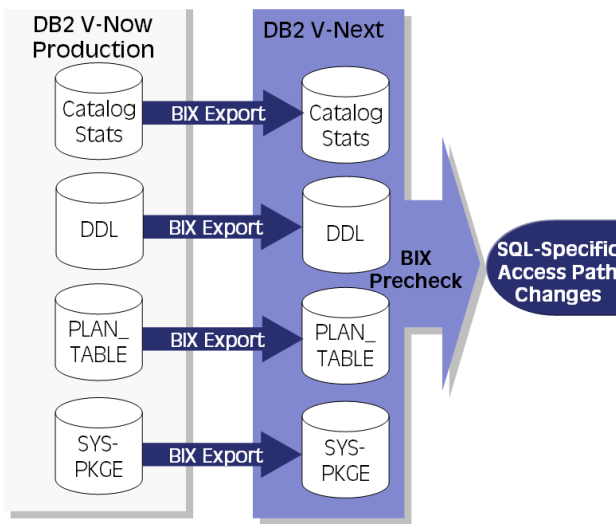
**EarlyPrecheck** predicts the DB2 migration effects on application performance before the damage is done. It precisely determines any access path implications before a REBIND takes places.

To realize SQL performance improvement with a new Optimizer and to increase CPU savings, IBM strongly recommends a global REBIND of your most important applications. Yet, it is commonly know that global REBINDs come with risk.

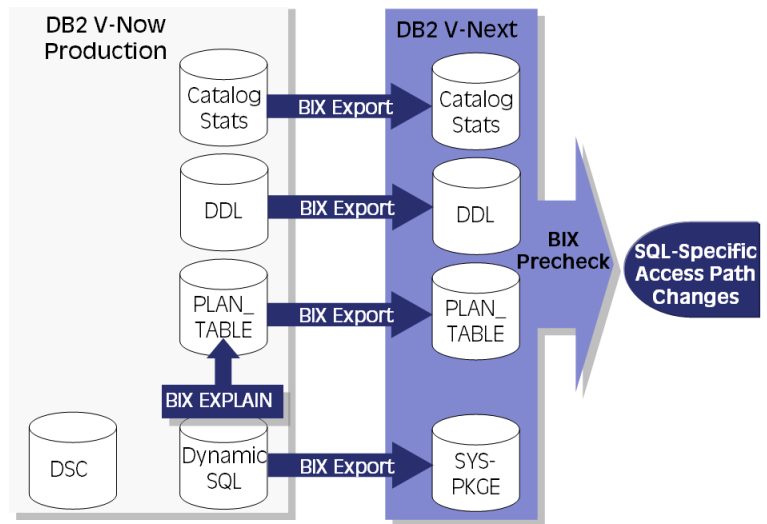
The EarlyPrecheck feature of **Bind ImpactExpert** (BIX) evaluates your DB2 applications and pinpoints potential performance degradations in static and dynamic SQL; predicting the access path changes that will occur in a new DB2 version. To make optimization easy, BIX rates each type of access path change at the statement level.

Using a customizable rule set, BIX categorizes all access path changes, e.g., improved or degraded. DB2 version-specific rules also categorize the expected access path changes resulting from the new Optimizer decisions. This drastically reduces manual effort for further investigation.

BIX findings during the evaluation of customer environments have shown a higher probability of access path changes in complex SQL statements. However, the quantity of changed access paths in simple SQL is also remarkable.



How BIX Prechecks Static SQL



How BIX Prechecks Dynamic SQL

Allowing BIX to simulate your production environment on a QA system in NFM prior to actual migration gives you the earliest opportunity to identify tuning candidates, and all of this in a one day consulting project.

### SEGUS Inc

14151 Park Meadow Dr.  
Chantilly, VA 20151  
USA

(800) 327-9650  
www.segus.com  
info@segus.com

### SOFTWARE ENGINEERING GMBH

Heinrichstrasse 85  
D-40239 Dusseldorf  
Germany

+49-211-961-49-0  
www.seg.de  
info@seg.de